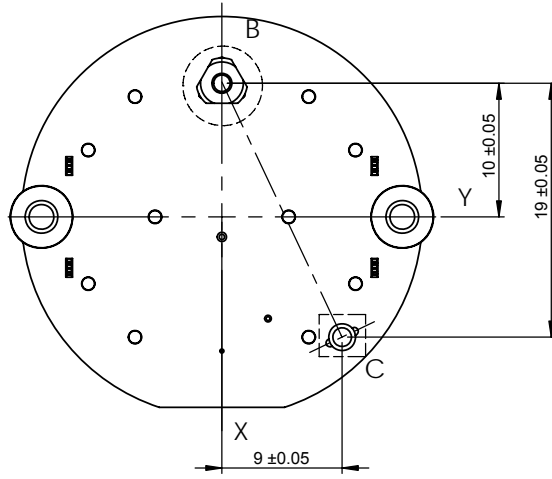


B (10 : 1)

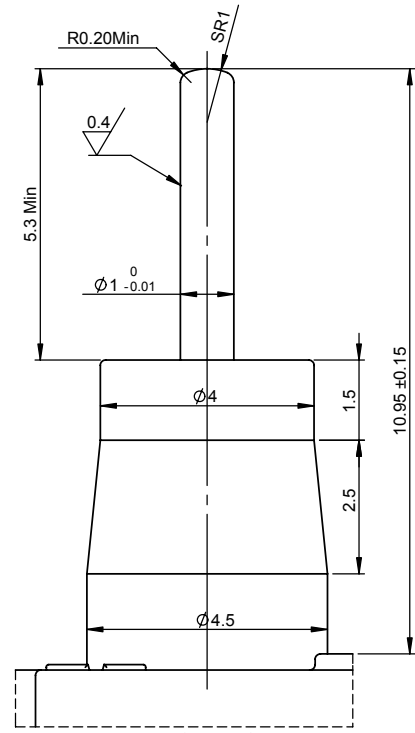


X

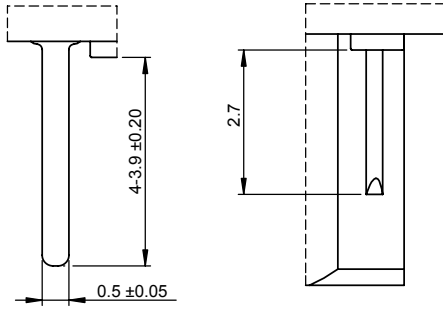
Y

9 ±0.05

C

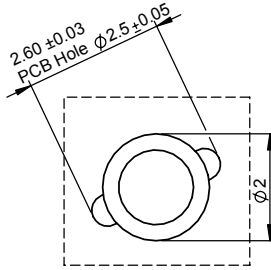


A (10 : 1)

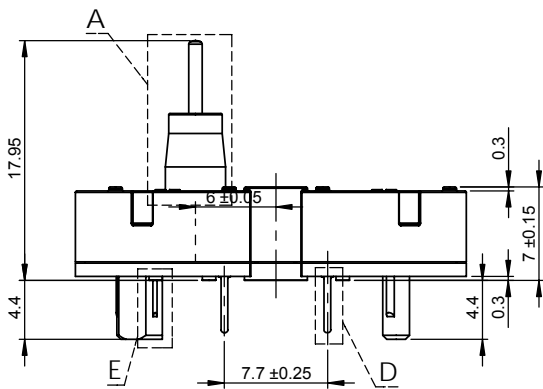


D(10 : 1)

E(10 : 1)

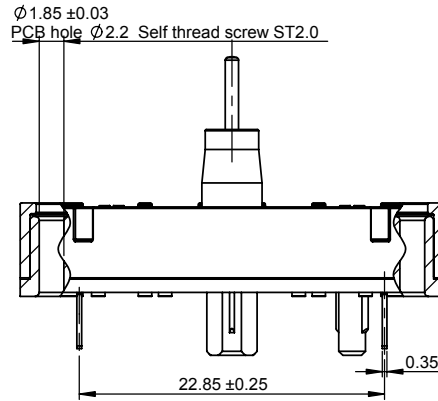


C (10 : 1)



E

D

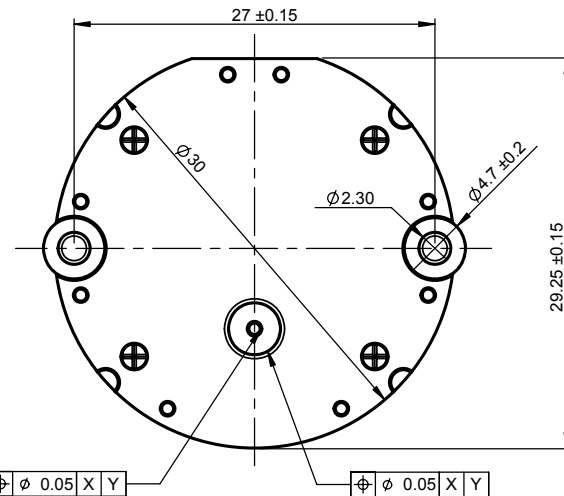
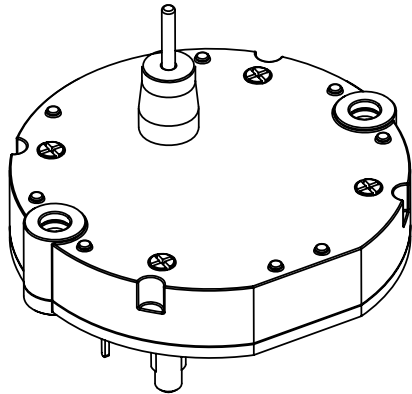


Ø1.85 ±0.03

PCB hole Ø2.2 Self thread screw ST2.0

22.85 ±0.25

0.35



Ø Ø 0.05 X Y

Ø Ø 0.05 X Y

Other $\sqrt{1.6}$

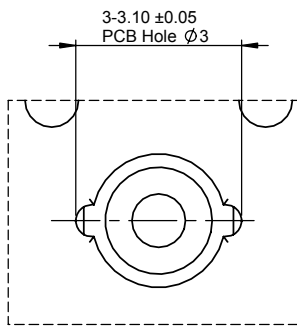
SPECIFICATIONS:

Housing:
-Material:PC
-Colour:Black
-Hold force clips:85N max

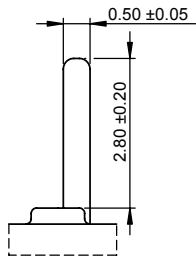
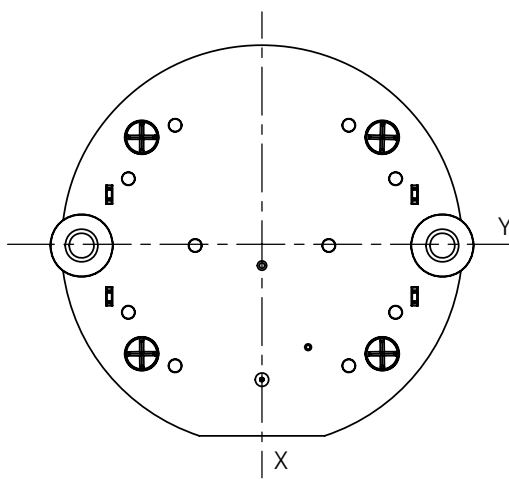
Shaft:
-Material:Stainless Steel
-Axial force(stake-on):150N max
-Axial pull force:70N max
-Radial force: 12N max
-External Torque: 40mNm Max
-Rotation Angle:315 ° Max

El contacts:
-Material:Copper Alloy
-Coil:el.resistance 280Ω
Undim.Radial R0.05~R0.10
Undim.Chamfered edges 0.30x45 °

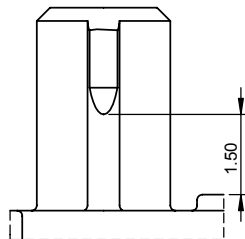
Product Name: Vehicles Instrumentation Device			Dimension in mm	
Description:			sheet	1/1
			size	A3
			scale	2.5:1
Product No. VID29-03 / VID29-03P	Created	27.3.12	VID	
	Check	27.3.12		
	Release			



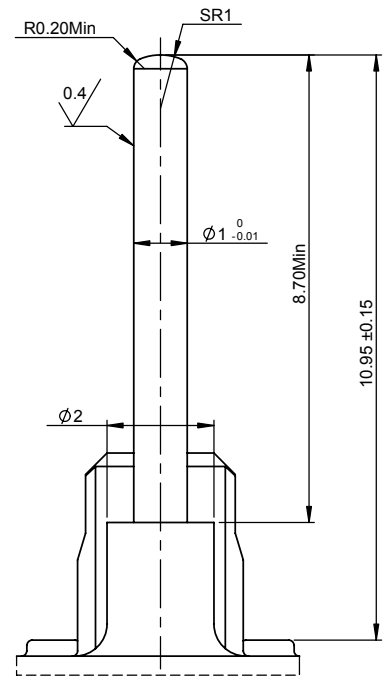
C(10:1)



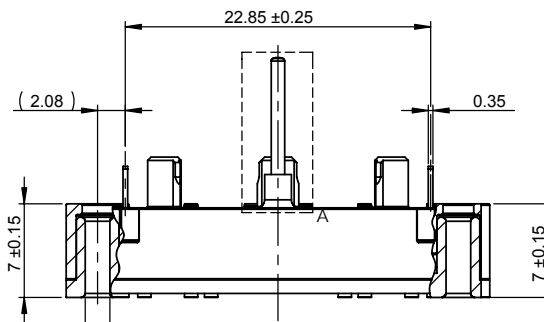
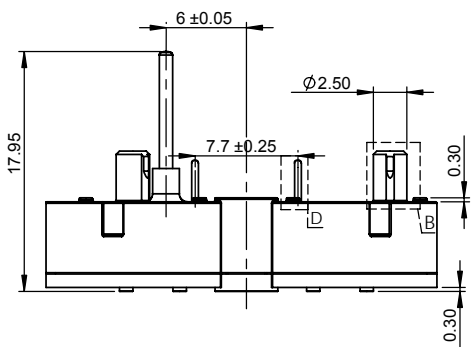
D (10 : 1)



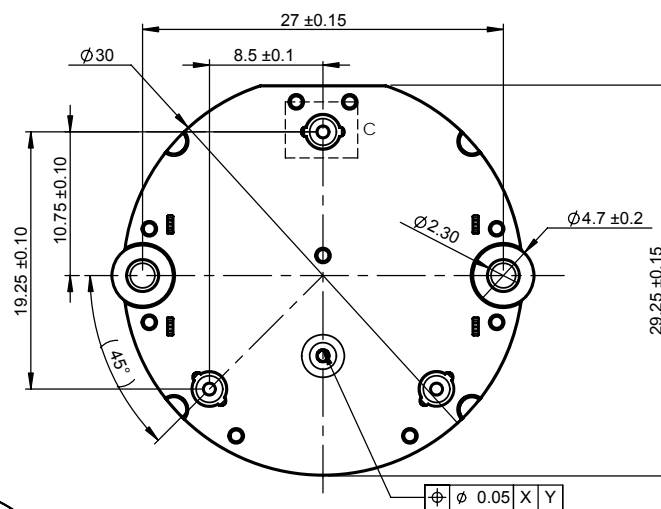
B (10 : 1)



A (10 : 1)



2-Ø1.85 ±0.03
PCB hole Ø2.2 Self thread screw ST 2.0



⊕ ⌀ 0.05 X Y

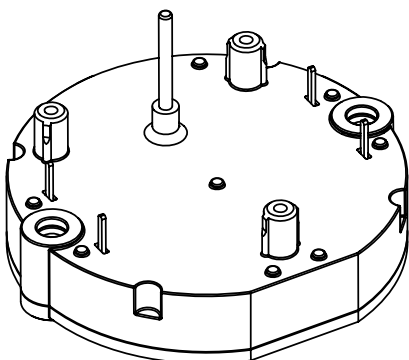
Other $\sqrt{1.6}$

SPECIFICATIONS:

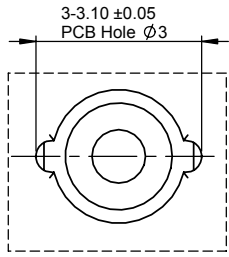
Housing:
-Material:PC
-Colour:Black
-Hold force clips:85N max

Shaft:
-Material:Stainless Steel
-Axial force(stake-on):150N max
-Axial pull force:70N max
-Radial force:12N max
-External Torque: 40mNm Max
-Rotation Angle:315° max

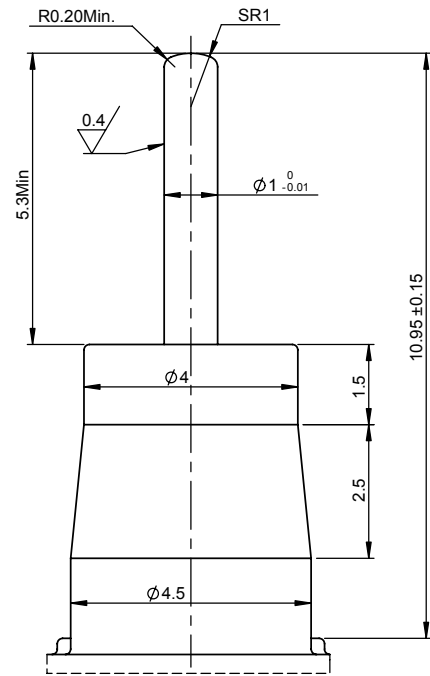
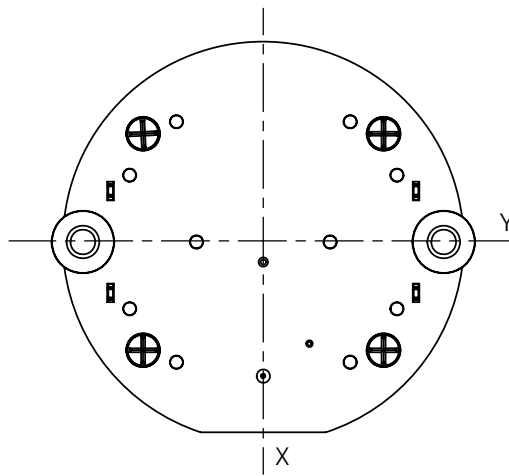
EI confaces
-Material:Copper Alloy
-Coil:el.resistance 280Ω
Undim.Radio R0.05~R0.10
Undim.Chamfered edges 0.30×45°



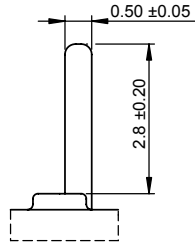
Product Name: Vehicles Instrumentation Device			Dimension in mm	
Description:			sheet	1/1
			size	A3
			scale	2.5:1
Product No.	Created	27.3.12	VID	
VID29-05 / VID29-05P	Check	27.3.12		
	Release			



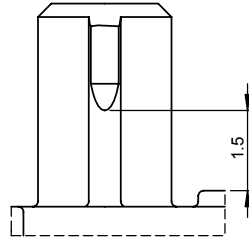
C (10 : 1)



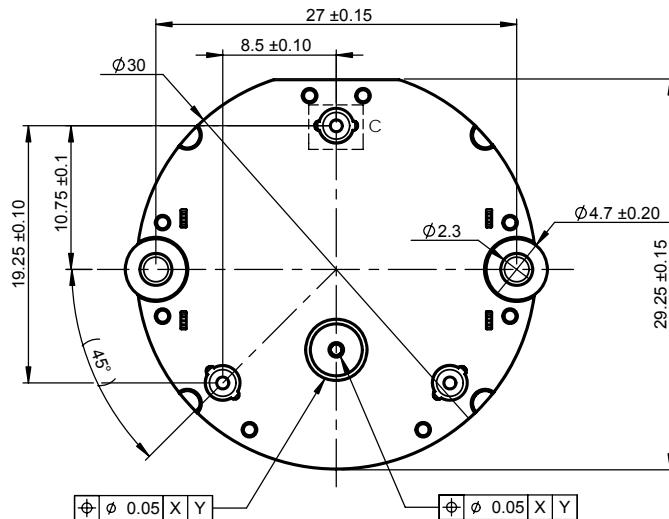
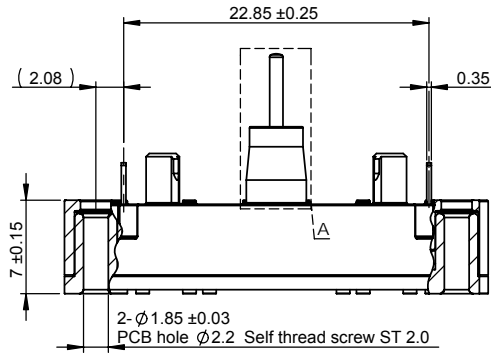
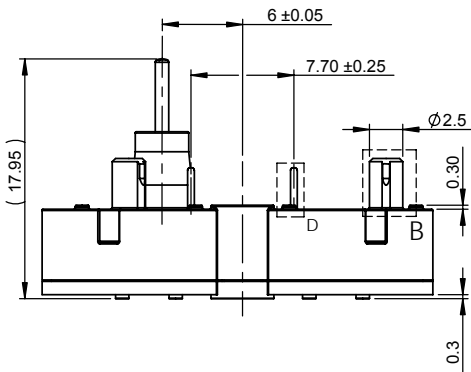
局部视图 A
比例 10 : 1



D (10 : 1)



B (10 : 1)



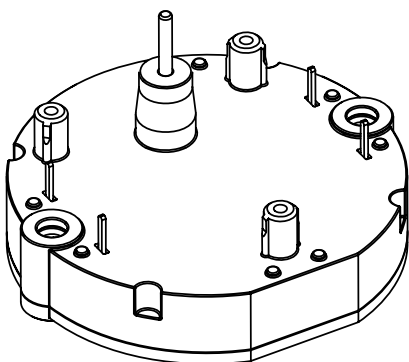
Other $\sqrt{1.6}$

SPECIFICATIONS:

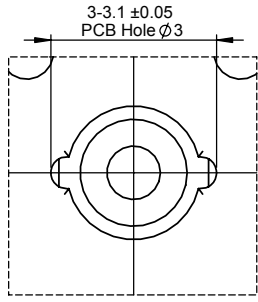
Housing:
-Material:PC
-Colour:Black
-Hold force clips:85N max

Shaft:
-Material:Stainless Steel
-Axialforce(stake-on):150N max
-Axial pull force:70N max
-Radial force:12N max
-External Torque: 40mNm Max
-Rotation Angle:315° Max

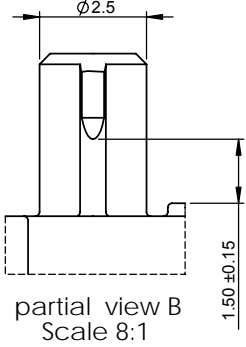
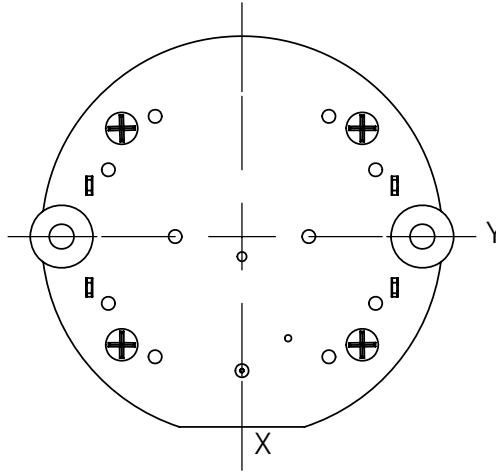
EI contacts
-Material:Copper Alloy
-Coil:el.resistance 280Ω
-Undim.Radio R0.05~R0.10
-Undim.Chamfered edges 0.30x45°



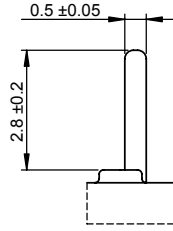
Product Name: Vehicles Instrumentation Device		Dimension in mm	
Description:		sheet	1/1
Product No. VID29-06 / VID29-06P		size	A3
Created 27.3.12		scale	2.5:1
Check 27.3.12		VID	
Release			



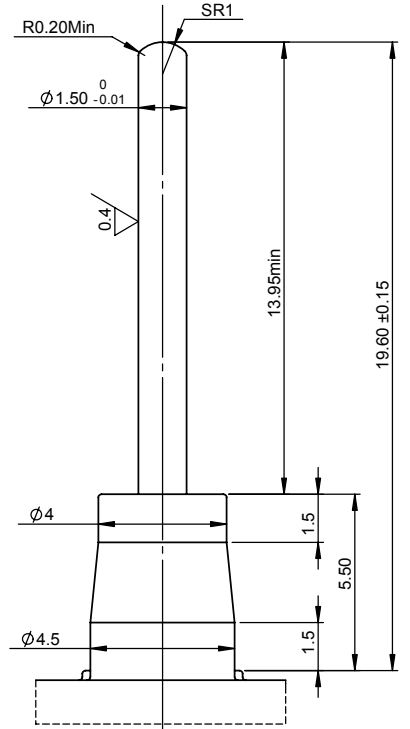
partial view D
Scale 10:1



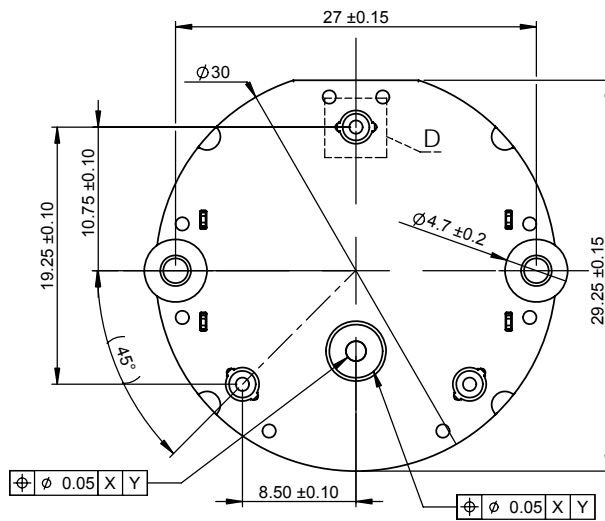
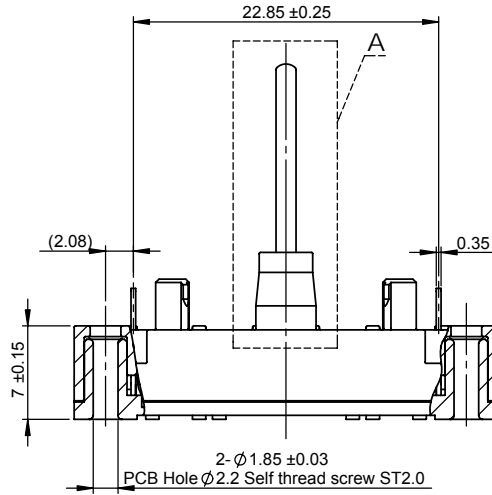
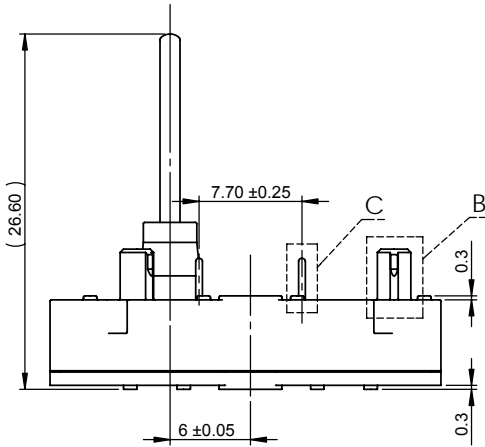
partial view B
Scale 8:1



partial view C
Scale 8:1



partial view A
Scale 6:1



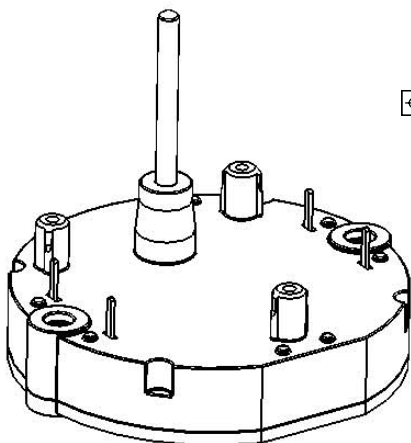
Other $\sqrt{1.6}$

SPECIFICATIONS:

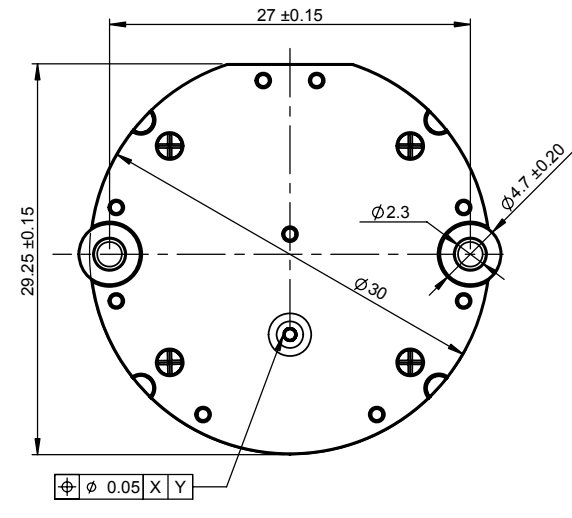
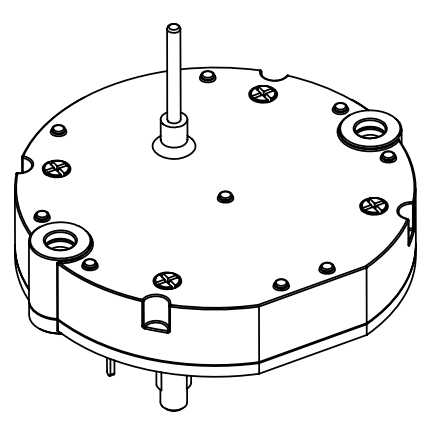
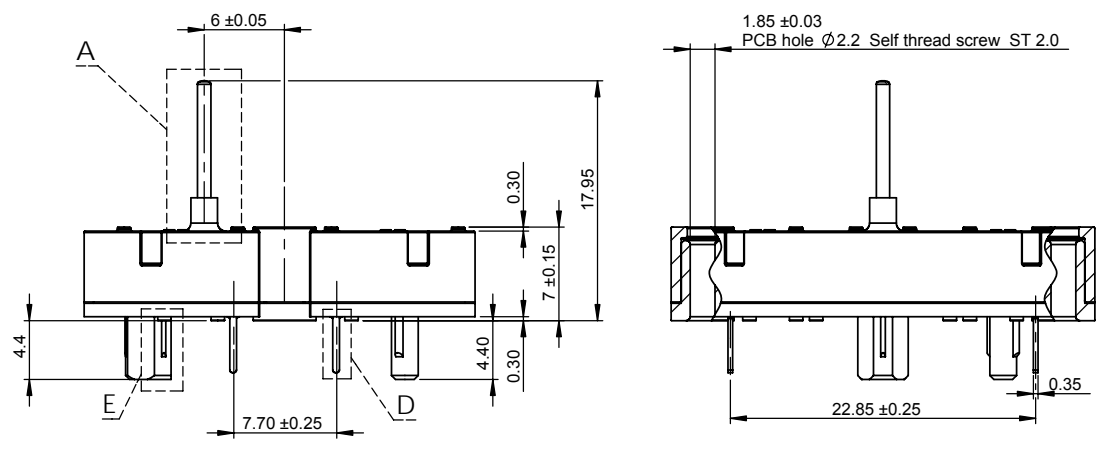
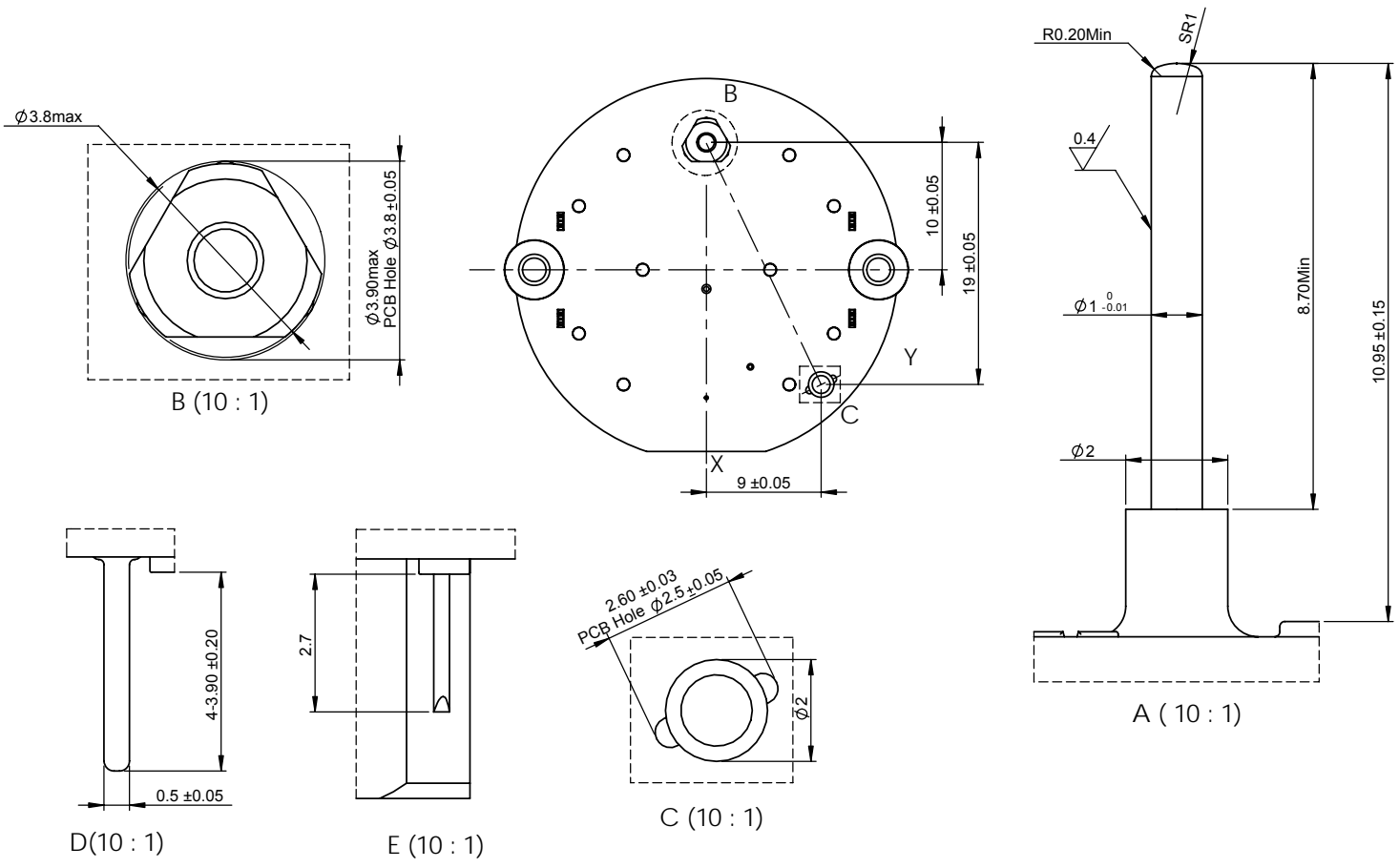
Housing:
-Material:PC
-Colour:Black
-Hold force clips:85N max

Shaft:
-Material:Stainless Steel
-Axialforce(stake-on):150N max.
-Axial pull force:70N max.
-Radial force:12N max.
-External Torque: 40mNm Max
-Rotation Angle:315° max.

EI contacts:
-Material:Copper Alloy
-Coil.el.resistance 280Ω
Undim.Radio R0.05~R0.10
Undim.chamfered edges 0.30×45°



Product Name: Vehicles Instrumentation Device		Dimension in mm	
Description:		sheet	1/1
		size	A3
		scale	2.5:1
Product No. VID29-07 / VID29-07P	Created	27.3.12	
	Check	27.3.12	
	Release		
			VID



Other $\sqrt{1.6}$

SPECIFICATIONS:

Housing:
 -Material:PC
 -Colour:Black
 -Hold force clips:85N max

Shaft:
 -Material:Stainless Steel
 -Axial force(stake-on):150N max
 -Axial pull force:70N max
 -Radial force:12N max
 -External Torque: 40mNm max
 -Rotation Angle:315° max

EI contacts:
 -Material:Copper Alloy
 -Coil:el.resistance 280Ω
 Undim. Radio R0.05~0.10
 Undim. Chamfered edges 0.30x45°

Product Name: Vehicles Instrumentation Device			Dimension in mm	
Description:			sheet	1/1
			size	A3
			scale	2.5:1
Product No. VID29-02 / VID29-02P	Created	27.3.12	VID	
	Check	27.3.12		
	Release			